

## CPS FLOOR-WALL BOLT-DOWN 1x 75 - 86“

comPROnents® complete solution

Item no.: 3342

The CPS Floor-Wall Bolt-down 1x 75 - 86“ is a floor stand for floor-wall mounting. A screen with a screen size between 75 - 86“ | 191 - 218 cm is suitable.

The universal VESA standard is covered up to VESA 900 x 800 mm max..

Floor-wall mounting is space-saving. The depth of the wall adapter can be adjusted variably.

The TV mount is height adjustable along the Alu Pillar (Tool needed) thus offering flexible mounting options to suit the respective room situation.

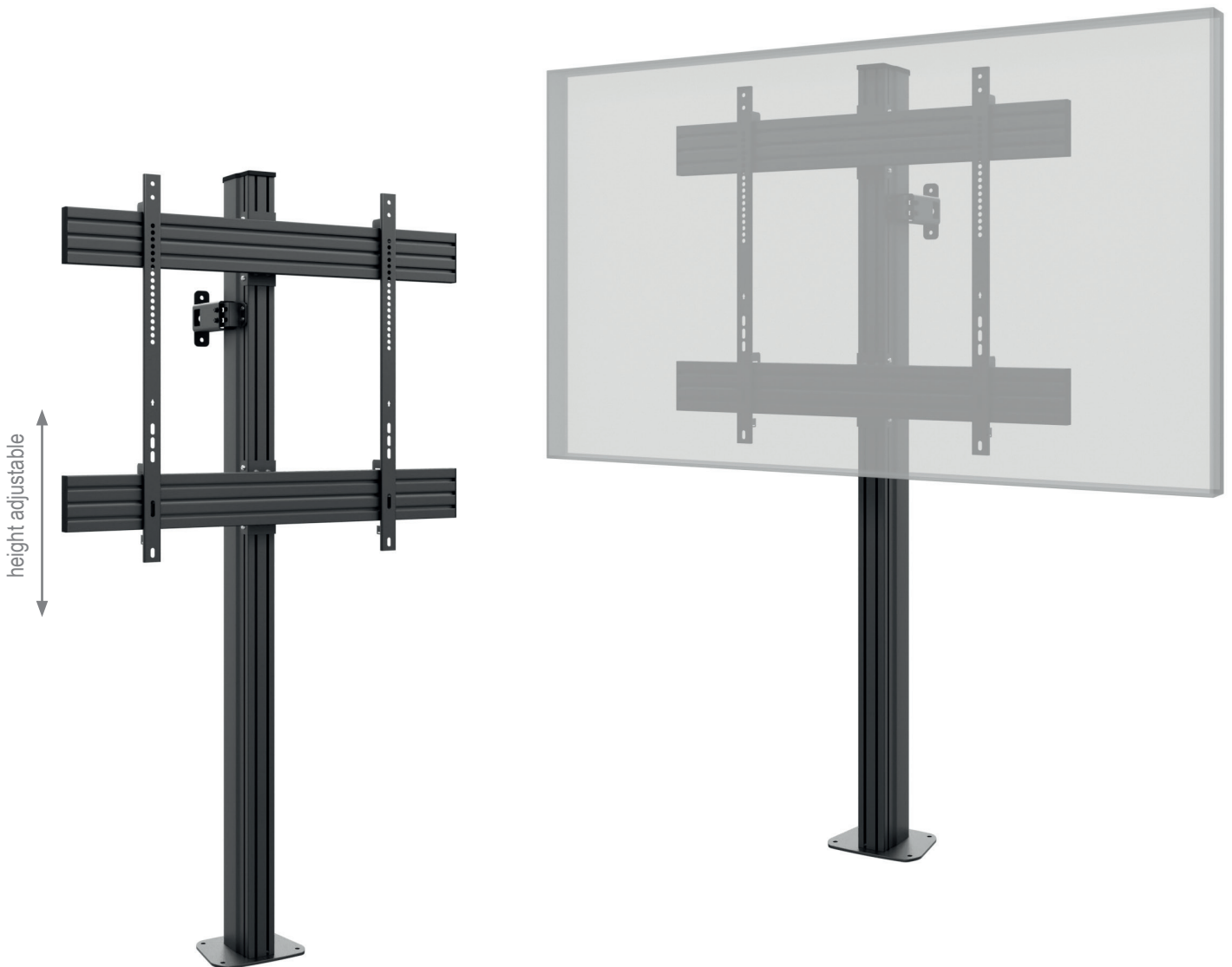
The Alu Pillar and Rails can be shortened if necessary.

Cables are routed along the rear of the Rails and Pillar by cable covers and thus remain out of sight.

The surfaces of the components are protected by a solvent free, impact and scratch resistant powder coating.

The maximum load capacity is 50 kg.

The complete solutions can be combined and extended with the components of the comPROnents® series without restriction and thus offer further application possibilities.



## CPS FLOOR-WALL BOLT-DOWN 1x 75 - 86“

comPROnents® complete solution

Item no.: 3342

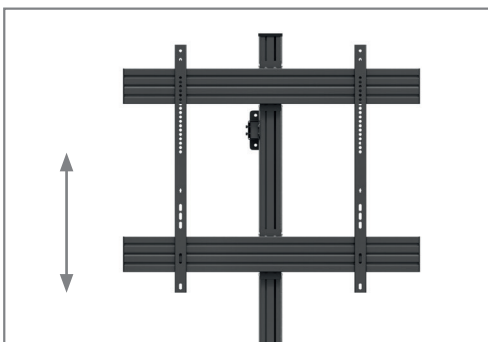
- 75 - 86“ | 191 - 218 cm
- Landscape | Portrait
- VESA 900 x 800 mm max.
- Space saving floor-wall mounting
- TV mount along the pillars height adjustable (Tool needed)
- Cable management along the pillar and rail
- Solvent free, impact and scratch resistant powder coating
- Colour: black
- 50 kg load, max.
- combinable & expandable with comPROnents® series



Space saving floor-wall mounting



Concealed cable routing



TV mount height adjustable (Tool needed)

